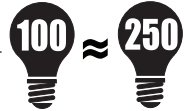


# LED Site / Warehouse / Garage Series



**Stock No.**      **Product Description**  
**LED-8050**      **HB-120/277-100-1-DL (Daylight)**

**Description:**

Fully encapsulated, 100 - 277 Volt, hardwire mounting that integrates energy saving LED technology into a powerful yet energy saving SMD LED high bay lamp. Available in Daylight (DL).

- 100 Watt
- 100 - 277 Volt operation
- Daylight DL (5000K)
- 6640 lumens
- 1 on-board high power SMD LED
- Minimal heat output
- IP65 PF>90
- Not dimmable
- 5 year warranty

**Applications:**

LED Site / Warehouse / Garage Series lamps can impact energy usage and costs in a major way for communities and housing developments with minimal to no maintenance costs thanks to the up to 50,000 hour lamp life.

- Site / Warehouse / Garage
- Security lighting
- Municipal interior lighting

**Installation:**

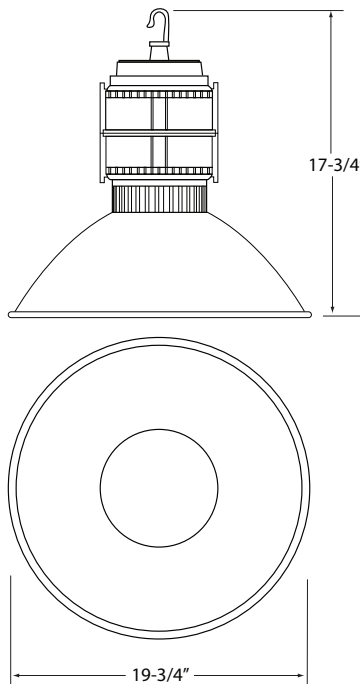
Quick and easy to install. Attach hook to top of fixture and hang from pre-installed ceiling hook. Fixture is pre-lamped (LED light engine) with pre-wired LED drivers. No need to open fixture, no removal of parts, no replacement of luminaires. Pendant or ceiling through-wire mounting. Mounting box should be properly installed to accept weight of fixture. High Bays are recommended for ceiling heights of 18 to 40 feet.

**Spacing to Mounting Height Ratio:**

Spacing to mounting height ratio (S/MH) determines the optimal spacing between fixture centers for uniform lighting. If the spacing between fixtures exceeds the optimal spacing determined with the S/MH ratio, then shadowing may occur on the work plane. All indoor LED industrial fixtures have a S/MH ratio. Optimal spacing is calculated by multiplying the S/MH ratio by the mounting height. For ex: if S/MH ratio is 1.5 and the mounting height is 15 ft., then the distance between fixtures should not exceed 1.5x15 or 22.5 ft.

**Packaging:**

Master pack: 1 each



Light Emitting Diodes

**lighting facts**<sup>CM</sup>  
 A Program of the U.S. DOE

Light Output (Lumens)	6640
Watts	107
Lumens per Watt (Efficacy)	62
<b>Color Accuracy</b>	
Color Rendering Index (CRI)	68
<b>Light Color</b>	
Correlated Color Temperature (CCT)	5231 (Daylight)
2700K	3000K
Bright White	4500K
Daylight	6500K

All results are according to IESNA LM-79-2002: Approved Method for the Electrical and Photometric Testing of Solid State Lighting. The U.S. Department of Energy (DOE) verifies product test data and results.

Visit [www.lightingfacts.com](http://www.lightingfacts.com) for the Label Reference Guide.

Registration Number: 84HS-820A0K  
 Model Number: LED-8050  
 Type: Replacement Lamp - (Recessed) (Other)

**Technical Specifications:**

Bulb Type:	Site/Warehouse/Garage	Mounting:	Pendant Hook w/ 6' cord
Bulb Material:	Aluminum / Acrylic	Replaces:	250W HID
UV:	None	Life Time:	Up to 50,000 hrs.
Output Power:	100W	Input Voltage:	AC 100 - 277V
Lumens:	6640	Beam Angle:	120°
Dimensions:	17-3/4"H x 19-3/4"W shade	Kelvin Temp:	(DL) 5000K
Net Weight:	4 KG	Lumens / Watt:	70
LEDs:	1 High Power	Frequency:	50 - 60 Hz.
Mercury:	None	CRI:	68
Efficacy:	62		

