

# LED SPOT LIGHT

ITEM NO :

SP-C Series

## INSTRUCTION OF LED SPOT LIGHT

Spot light can be installed not only on the ceiling edge or furniture upper part, but also in the wall, dado or baseboard. It highlights subjective aesthetic function, so that the artistic effect of environment uniqueness, rich atmosphere and colorfulness can be realized. Also, the soft light of built-in LED plays an important role on integral illumination and foils atmosphere in local lighting.

### A. Specification

#### A-1. Structure

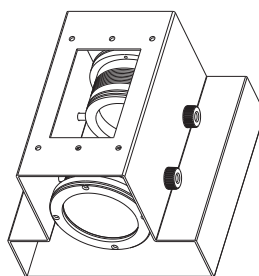
Materials of Shell: Aluminum

Rotary angle: 60°

Input Voltage: 24V DC

Protecting Rating: IP65

Operating Temperature: -20°C~40°C



SP-C-40P

#### A-2 Model Configuration Table

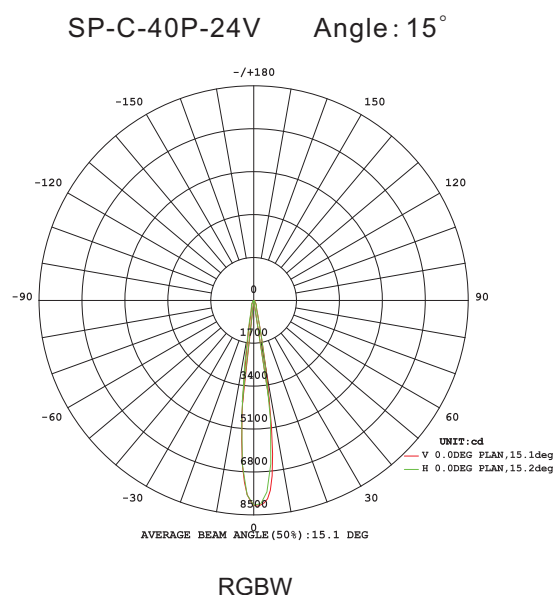
Model No.	LED Color	LED Quantity	Operating Voltage	Power consumption	Beam Angle	Size(mm)	Weight	✓
SP-C-40P	R-10, G-10, B-10,W-10	40	24V DC	40 WATTS	15°/25°/40°(4in1)	L240xW235xH192	3.4kg±5%	

### B. Working Mode:

These products must work with RGBW controller DMX-DECODER-834 to use. For detailed application and function, please refer to 《INSTRUCTION OF DMX-DECODER-834》.

### C. Photometrics Parameters

#### C-1. Cadela distribution



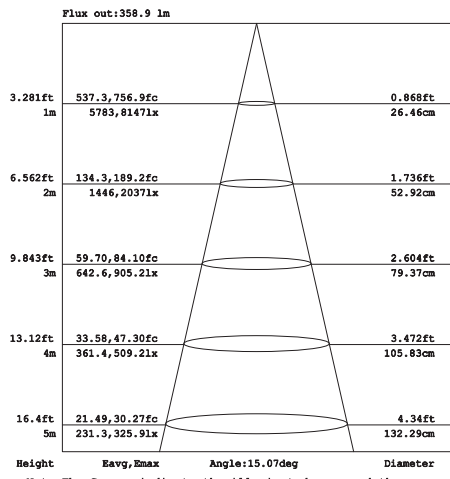
# LED SPOT LIGHT

ITEM NO :

SP-C Series

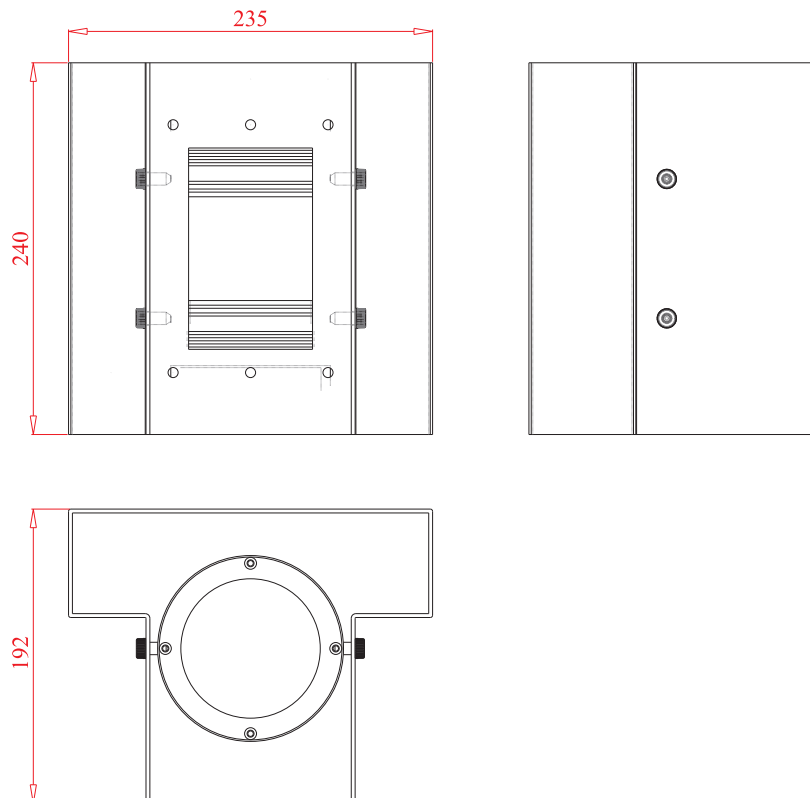
## C-2.Illuminance at a distance

SP-C-40P-24V Angle: 15°



RGBW

## D. Dimension Drawing



# LED SPOT LIGHT

ITEM NO :

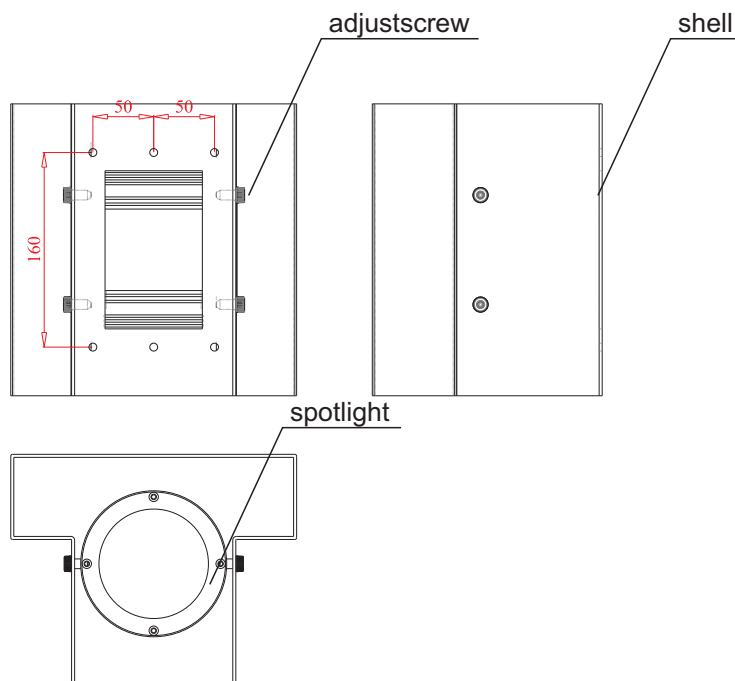
SP-C Series

## E. Installation Drawing

E-1. Fix 6 pcs  $\phi 6$  setscrew into the wall, mounting size as below;

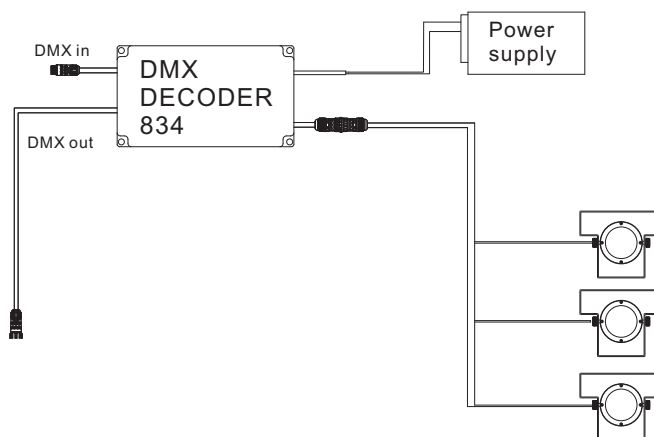
E-2. Push the shell into the setscrew and fix it with hexagonal tool;

E-3. Fix the two spotlights to the shell with four adjusters.



## F. Connection

F-1 Connect with the controller (FOR DMX-DECODER-834)



### Caution:

1. Do not plug them into power when the product is still in package;
2. Don't use anything to cover the fixture during application;
3. Don't use this product in close environment;
4. If this product appears to be damaged, do not attempt any repair, please contact your dealer.

### Warning:

- \* Neglect on action of the above treatment will lead to failure of waterproof and proper working of the lights!!!
- \* Make sure the ground connection well avoid electric shock, due to metal housing.