

THE TRISTAR® SERIES



TRISTAR®-E27-WHT



TRISTAR®-E27-WHT 5W LED Lamps

The new TriStar® E27-WHT 5 watt LED lamps now have an increased lumen output of 150~180 lumens. They are available in cool white, daylight white, and warm white.

TRISTAR®-E27-WHT

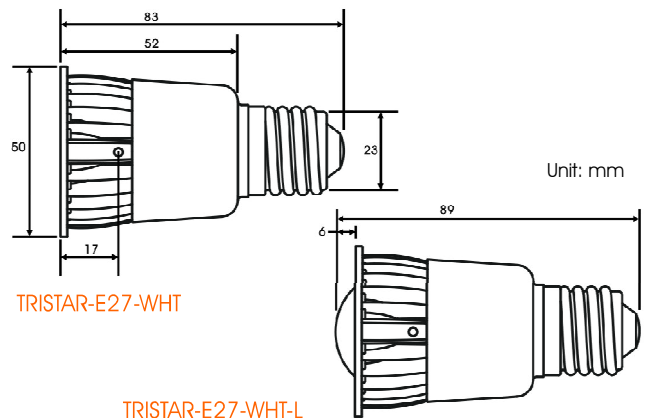
Features

- High power 5W LED
- High luminous intensity output
- Min. 70% lumen maintenance after 35,000 hours
- Higher energy efficiency than incandescent and halogen lamps
- Cool beam (no UV or thermal radiation)
- Safety compliance: CE; RoHS compliant; EU-LVD conformity

ELECTRONIC SPECIFICATIONS

PARAMETERS	TRISTAR-E27
ELECTRICAL:	
Power Supply Voltage (Typ.)	100 VAC ~ 240 VAC
Power Supply Current	<100mA
Power Consumption	<5W
OPTICAL:	
Operating Life	>35,000 hrs.
Beam Angle (without lens)	60°
Beam Angle (with lens)	30°
ENVIRONMENT:	
Operation Temperature	-20~50°C
Storage Temperature	-40~60°C
Operation Humidity	10~90%

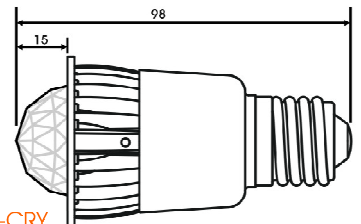
DIMENSIONS DIAGRAMS



TRISTAR-E27-WHT

TRISTAR-E27-WHT-L

TRISTAR-E27-WHT-L has a lens. It has a beam angle of 30°.



TRISTAR-E27-WHT-CRY

TRISTAR-E27-WHT-CRY has a crystal face.

Model Number	Color	Minimum Photometric Flux (lm)	Maximum Photometric Flux (lm)	Color Temperature
TRISTAR-E27-WHT-W	Warm White	150	170	2900k ±100k
TRISTAR-E27-WHT-D	Daylight White	155	175	5500k
TRISTAR-E27-WHT-C	Cool White	160	180	6500k