

THE TRISTAR® SERIES

9 Single Colors



TRISTAR®-MR16



TRISTAR®-MR16 5W LED Lamps

TriStar® MR16 5 watt LED lamps are available in 9 single colors.

TRISTAR®-MR16

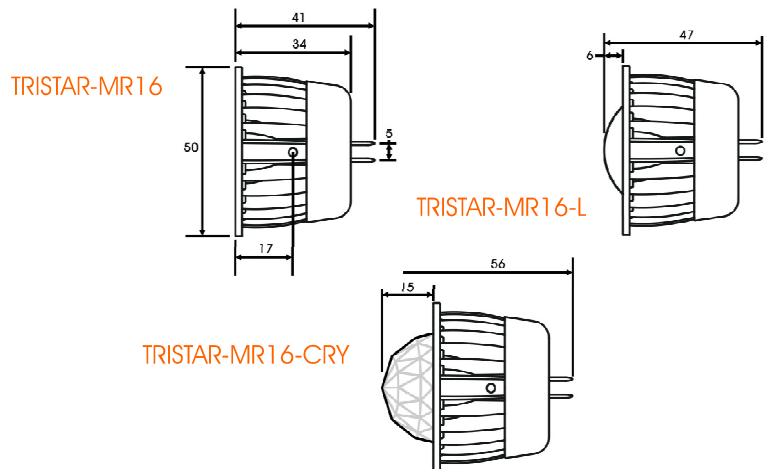
Features

- High power 5W LED
- High luminous intensity output
- Min. 70% lumen maintenance after 35,000 hours
- Higher energy efficiency than incandescent and halogen lamps
- Cool beam (no UV or thermal radiation)
- Safety compliance: CE; RoHS compliant; EU-LVD conformity

ELECTRONIC SPECIFICATIONS

| PARAMETERS | TRISTAR-MR16 |
|-----------------------------|---------------|
| ELECTRICAL: | |
| Power Supply Voltage (Typ.) | 10~17 Vdc/Vac |
| Power Supply Current | <600mA |
| Power Consumption | <5W |
| OPTICAL: | |
| Operating Life | > 35,000 hrs. |
| Beam Angle (without lens) | 60° |
| Beam Angle (with lens) | 30° |
| ENVIRONMENT: | |
| Operation Temperature | -20~50°C |
| Storage Temperature | -40~60°C |
| Operation Humidity | 10~90% |

DIMENSIONS DIAGRAMS



9 Different Single Color LED Lamps Available:



TRISTAR-MR16-L has a lens. It has a beam angle of 30°.

TRISTAR-MR16-CRY has a crystal face.