

IGP-Plus | IGS-Plus Galaxy PLUS LED Lamp Installation/Operation/Warranty

This guide contains important information on installing and using your Galaxy LED Lamp.
Please read it carefully and save it for future reference.

RATED LAMP LIFE

The illumination generated by the Galaxy Plus LED Lamp is based on Light Emitting Diodes (LED) whose predicted source life is rated at: [Operating Temperature: - 4° to 104°F (-20°C to 40°C), Humidity: 0-95% non-condensing humidity]. This equates to 11.4 years of continuous 24-hour a day usage.



SAFETY PRECAUTIONS

- Do not open, alter or tamper with the product as this will void the manufacturer's warranty. Follow all instructions in the user guide, and observe all warnings carefully.
- Do not allow the LED unit to get wet. It is conform allocated to protect it from moisture.
- Keep the unit dry.
- Handle the Galaxy LED Lamp as you would any delicate product. Be careful not to drop the unit.
- Do not turn on power unit more than 2-4 seconds out of water when testing.



WARNING!

PERMANENT DAMAGE TO THE 12VAC LAMP WILL OCCUR IF INSTALLED IN A 120VAC SOCKET.

The IGP-PLUS and the IGS-PLUS are available in either 12VAC (low voltage) model and a 120VAC model.
The 120VAC light has a gold or brass color edison screw base.
The 12VAC light has a silver or aluminum color edison screw base.



DANGER!

RISK OF ELECTRICAL SHOCK OR ELECTROCUTION

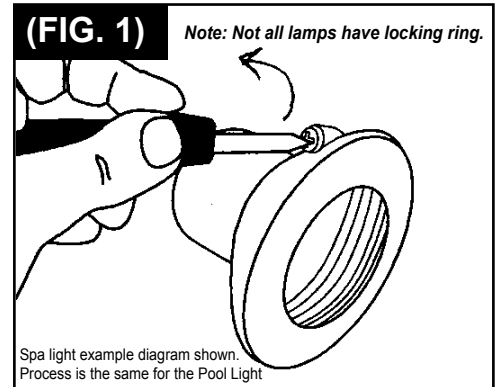
Always disconnect power to the pool or spa light at the circuit breaker before servicing the light. Failure to do so could result in death or serious injury to the installer, servicemen, pool and spa users, or others due to electrical shock.
Refer to the original manufacturer's installation manual before proceeding

This device is not intended for use with emergency exit fixtures or emergency exit lights

Installation for IGP-PLUS / IGS-PLUS Galaxy PLUS LED Pool & Spa Lamps

STEP 1

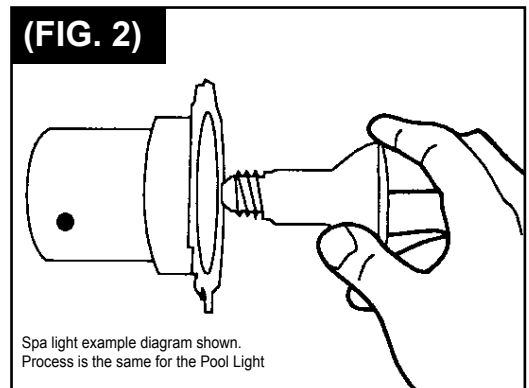
Access the old lamp according to your spa manufacturer's instructions. Remove the locking ring. **(Fig. 1)**



STEP 2

Remove the existing lamp. **(Fig. 2)**

WARNING: Always install a new lens gasket whenever disassembling the light. Failure to do so may permit water to leak into the assembly, which could cause: an electrical hazard resulting in death or serious injury to pool and spa users, installers or others due to electrical shock; or breakage of the lamp or lens which could result in serious injury to pool and spa users, installers, by-standers, or in property damage.



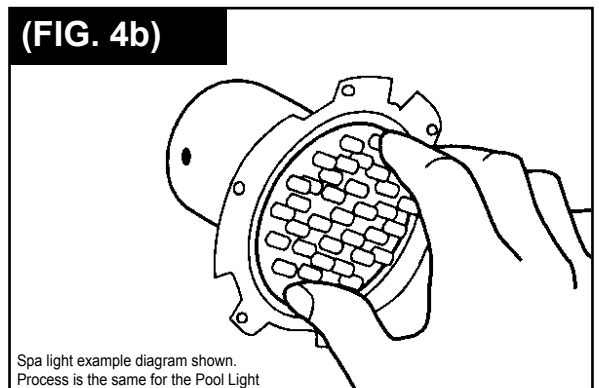
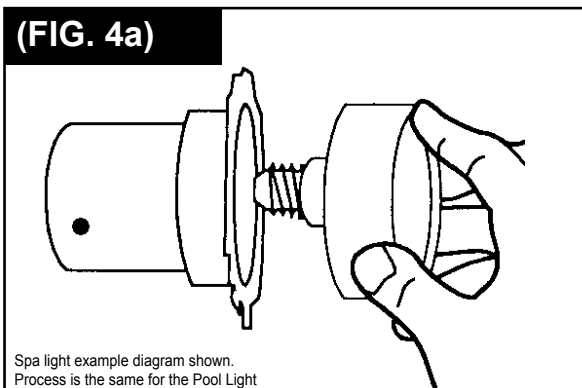
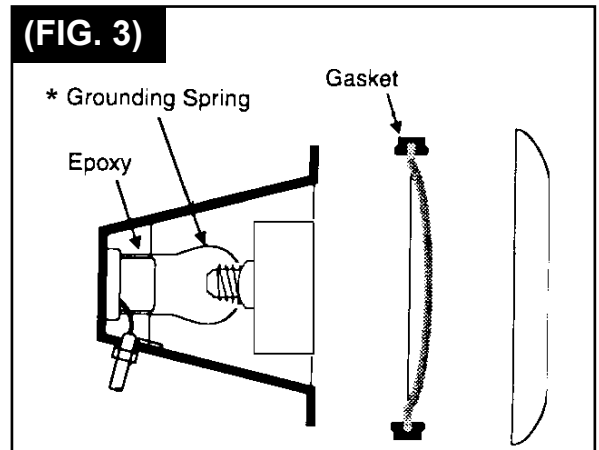
STEP 3

Replace the existing gasket with a new one. **(Fig. 3)**

**Note: Not all lamps will have a grounding spring.*

STEP 4

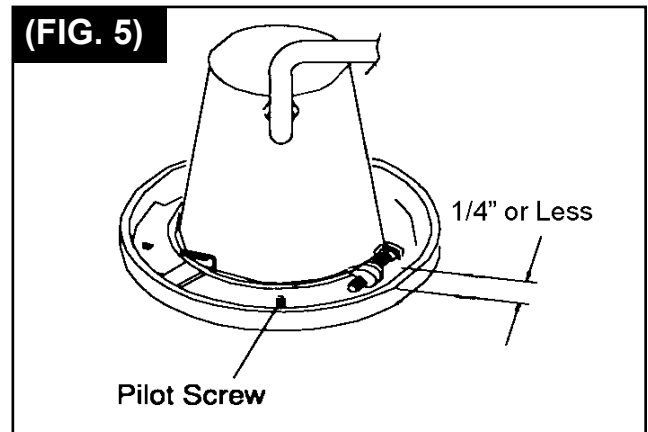
Screw in the Galaxy LED Lamp into the socket. **(Fig. 4A, 4B)**



Installation for IGP-PLUS / IGS-PLUS Galaxy PLUS LED Pool & Spa Lamps



WARNING: Some housings use a special pilot screw. This screw mounts and electrically grounds the housing securely to the mounting rings and wet niche. (Fig. 5) Failure to use the screw could create an electrical hazard which could result in death or serious injury to pool and spa users, installers or others due to electrical



Controlling the IGP-PLUS / IGS-PLUS Galaxy PLUS LED Pool & Spa Lamps

Use the pool or spa's existing light switch to control the effects.

CHOOSING EFFECTS

- Galaxy PLUS LED Lamps are pre-programmed with an assortment of lighting effects.
- When you turn the Galaxy PLUS LED Lamp off and then on again within three seconds, it advances to the next effect.
- When you turn the Galaxy PLUS LED Lamp off and leave it off for more than five seconds, it returns to the first mode "white".

PROGRAM	DESCRIPTION OF EFFECTS
1. Treasure Island	smooth color transition _____ <i>Colors smoothly cycle through the color spectrum. Each color cycle takes approximately 1 minute.</i>
2. Moonlight White	white _____
3. SAVI Blue	dark blue _____
4. Sargassion Sea	green _____ <i>Fixed single color, no transition</i>
5. Blue Lagoon	light blue _____
6. Passion Pink	pink _____
7. Carribbean Hues	blue to green fade _____ <i>Blue hues smoothly cycle to green hues.</i>
8. Copacabana	medium fast color changes _____
9. Dance Party	fast color changes _____ <i>Multiple color transition, cycling through the color spectrum.</i>

Warranty

Nexus Pool and Spa warrants its products to be free from defects in material and/or workmanship, under normal use, conditions and service, for a period of TWO YEARS from the date of original purchase. In the event of a defect in material or workmanship during the warranty period, Nexus Pool and Spa will repair or replace (at its discretion) its products under the conditions of the Warranty. Nexus Pool and Spa will do so at its expense for the materials but not for shipping. This remedy is the sole and exclusive remedy for any and all claims relating to any breach of warranty by Nexus Pool and Spa. Limitations, exclusions and other rights: 1.) Except as provided herein, Nexus Pool and Spa makes no other warranties, expressed or implied, including but not limited to the implied warranties of merchantability or fitness for a particular purpose, as all such warranties are expressly disclaimed. Some states do not allow the exclusion of an implied warranty, so the above exclusion may not apply to you. 2.) Nexus Pool and Spa is not responsible for defects or malfunctions in and/or damage to lighting systems where a sale is specifically made without warranty. In such sales the disclaimers of warranty and liability; set forth above, shall continue to apply. 3.) The Warranty covers normal consumer use and does not cover damage which occurs in shipment or damage or failure which results from alteration, accident, theft, misuse, abuse, abnormal use, negligent installation, improper maintenance or where adequate care has not been taken to prevent damage to the lighting system. 4.) This Warranty gives you specific legal rights, and you may also have other rights which vary from state to state. If you discover a defect or malfunction during the period to which this Warranty applies, write or phone Nexus Pool and Spa for information on receiving warranty service.

IGPLUSINSTALL.01



Nexus Lighting, Inc.
9400 Southridge Park Court
Suite 200
Orlando, Florida
32819
t 407.855.5630
f 407.210.8679
nexuslighting.com/pool