

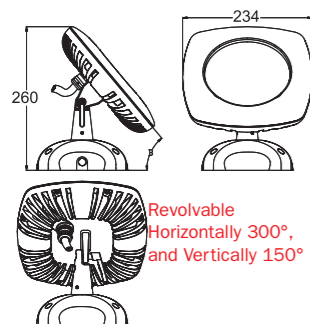


**NEW**

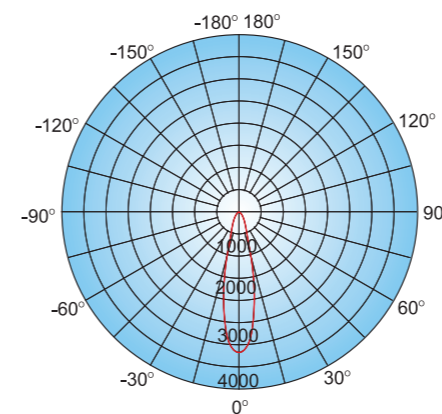
# LED Submariner I(White)

LED Submariner I(White) is a new energy savings underwater LED lighting fixture which utilizes high power (WLED) white LED as the light source. The LED Submariner I(White) offers high power white LED illumination for applications such as fountain, pond, water feature illumination, and any application with direct or indirect constant water immersion. The new Submariner mounting system enables easy adjustment of the projection angles from 3600 H and 1500 Vertical, enabling optimization of the effect. LED Submariner I(White) is low voltage and requires no additional controllers.

Dimensional Diagram



## Candle Power Distribution



### Testing Result

Max. luminous Intensity: 3177.29cd  
 Luminous Flux: 512.42Lm  
 Efficiency: 16.06lm/w  
 Beam Angle: 20.5°

## Specifications

Qty of LEDs	27 PCS 1W White LED (WLED) Power LED
Fixture Housing	Die cast Aluminum
Beam Angle	25°

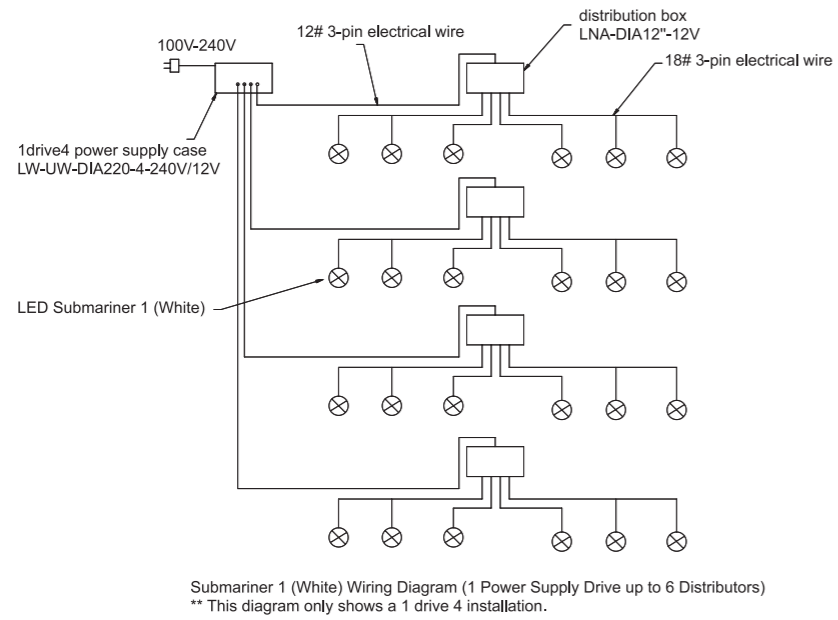
## Electrical Specifications

Operating Voltage	12V DC
Operating Current	2.7A
Power Consumption	32.5 Watt
IP Rating	IP68

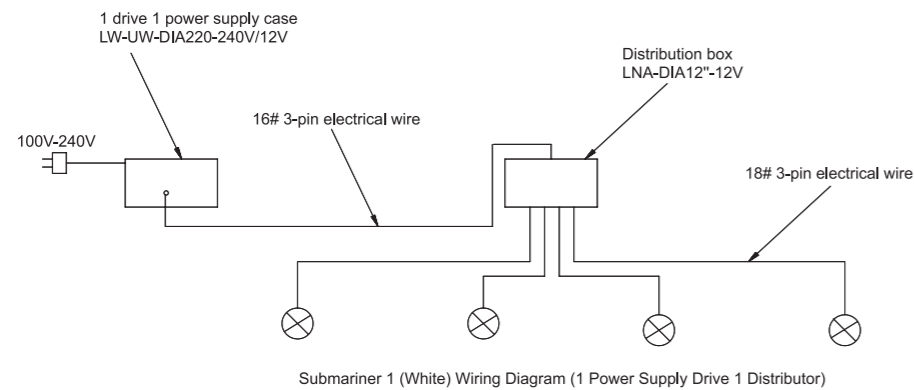
## Environmental Specifications

Operating Temperature	-20°C ~ +40°C (industrial grade components)
Submersion depth(max.)	-400-2000mm Below Water Surface
Submersion depth(mm)	0.0533T/mm <sup>2</sup>
Dimensions	L234mmxW234mmxH260mm

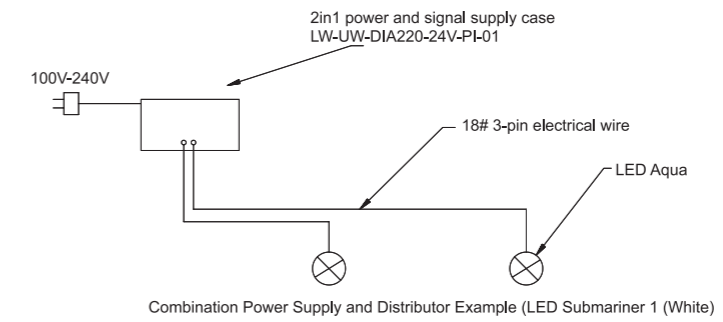
**Connection Example 1**



**Connection Example 2**



**Connection Mode 3**



**Installation Example**

