

25 Watt RGBW Dimmable LED Light Engine



UL Rated
12VDC
Transformer
with US Plug.

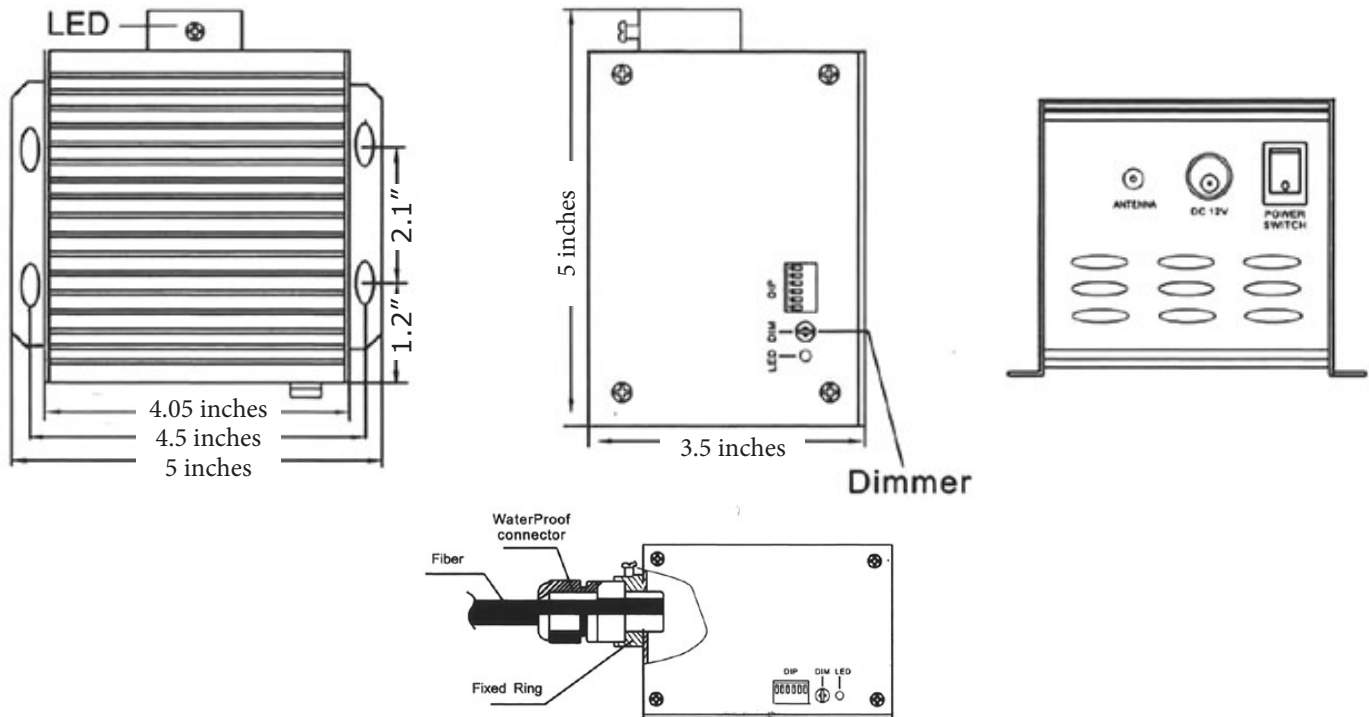
Technical Data

Power consumption: 25 Watts
 Color: RGBW (Red, Green, Blue, and White)
 Twinkle Wheel (Installed)
 Light Source: 8 Three Watt LEDs (2 Red, 2 Blue, 2 Green, 2 White)
 Estimated Life of LEDs: 50000 hours
 Fiber Quantity: Holds up to 400 pcs of 0.75mm fiber per port
 Size: L125 x W126 x H 88mm (L 4.92 in x 5 in x 3.15 in)
 Net weight of Light Engine: 0.6 Kg (1.4 lbs)

Battery for the Remote: The battery for the remote is a 12 Volt 27A. The battery dimensions are 1" x .30" or 28mm x 8mm. **Note:** Be extremely careful when removing the three (3) tiny screws out of the remote. The screws are holding the entire remote casing together.

Installation

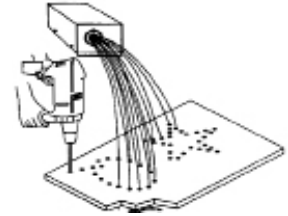
The installation dimension of the Light Engine.



25 Watt RGBW Dimmable LED Light Engine

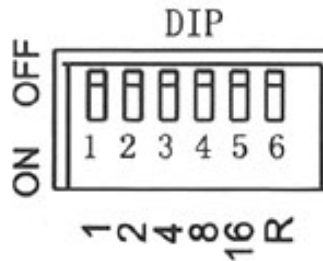
Installation of the fiber Ends

Drill holes on the panel or ceiling you wish to install the fiber optic cables. Pull the fibers through the holes and use glue (we recommend using Elmer's All Multipurpose White Glue) to secure the fibers in place. For more tips on fiber installation visit our website WieDaMark.com and view our [Installation Videos](#) page.



Light Engine Settings

DIP switches to control the light engine are on the side of the illuminator.



DIP Switch Chart

PRO. NO.	DIP SWITCH (1=ON, 0=OFF)						FUNCTION
	1	2	3	4	5	6	
00	0	0	0	0	0	0	Motor stopped, No Light
01	1	0	0	0	0	1	White 2RPM
02	0	1	0	0	0	1	Red 2RPM
03	1	1	0	0	0	1	Green 2RPM
04	0	0	1	0	0	1	Blue 2RPM
05	1	0	1	0	0	1	Purple 2RPM
06	0	1	1	0	0	1	Yellow 2RPM
07	1	1	1	0	0	1	Sky-Blue 2RPM
08	0	0	0	1	0	1	W, B, PP, R, Y, G, Sky-B, 7 colors skip(2s) 1RPM
09	1	0	0	1	0	1	W, B, PP, R, Y, G, Sky-B, 7 colors skip(2s) 2RPM
10	0	1	0	1	0	1	W, B, PP, R, Y, G, Sky-B, 7 colors skip(5s) 1RPM
11	1	1	0	1	0	1	W, B, PP, R, Y, G, Sky-B, 7 colors skip(5s) 2RPM
12	0	0	1	1	0	1	W, B, PP, R, Y, G, Sky-B, 7 colors fade(5s) 1RPM
13	1	0	1	1	0	1	W, B, PP, R, Y, G, Sky-B, 7 colors fade(5s) 2RPM
14	0	1	1	1	0	1	W, B, PP, R, Y, G, Sky-B, 7 colors fade(10s) 1RPM
15	1	1	1	1	0	1	W, B, PP, R, Y, G, Sky-B, 7 colors fade(10s) 2RPM

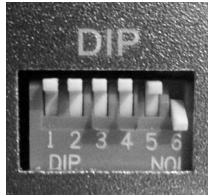
Notice: RPM is the speed of the twinkle wheel.

25 Watt RGBW Dimmable LED Light Engine

Remote Control Operation

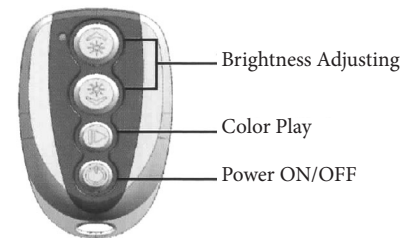
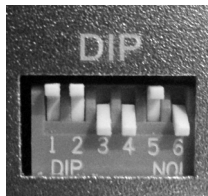
The power button is used to turn on and off the light engine.

To turn on the remote feature, set dip switch number 6 down to activate the remote controller.



Color Selection

To select a certain static color, turn dip switch 3, 4 and 6 to the on position. This setting cycles through a rainbow of colors in a fade effect. Press the Colorplay button to stop the fade on the color you desire.



Dimming

The brightness buttons on the top of the remote allows you to adjust the brightness of the lighting at 8 levels. You can also adjust the lighting manually by using the dimming screw on the side of the light engine.

Safety Instructions:

1. Keep out of rain or moist areas to avoid shock hazards.
2. Avoid use in high temperatures (< 40°C or < 104°F).
3. Keep Light Engine in ventilated area.
4. The light engine has a safety feature that will turn the light engine off to prevent it from over heating.

