

MX1 High Power Series

24VDC, Compact Dimmable J-Box
LED Driver



Dimmable



MX1 High Power Series

24VDC, Compact Dimmable J-Box LED Driver



Features

- The smallest High-Power dimmable LED drivers in the market
- Built-in junction box
- IP65 - Suitable for dry and wet locations
- Dimmable with any CLF/LED/MLV/ELV (leading or trailing edge) dimmer switch
- Smooth, flicker-free dimming
- Overload and short circuits protection
- 90% Efficiency @ Full Load



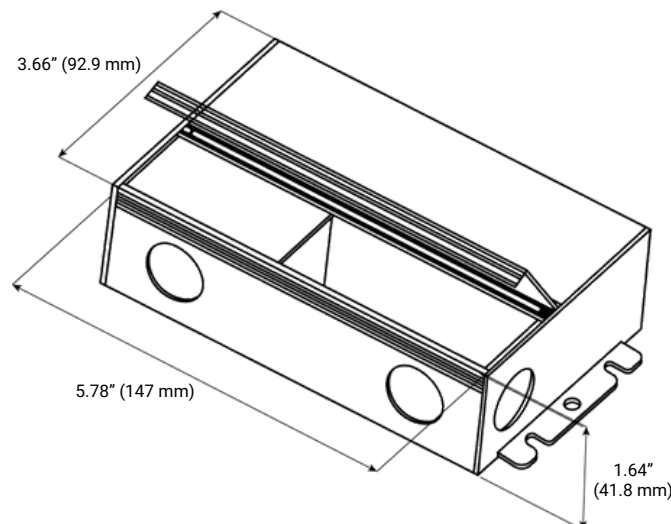
Dimming

Dimming Protocol:	Triac / ELV (Phase cut)
Min. Dimming Level:	1%
Dim to Off:	Yes
Dimming Curve:	Linear

Applications

- LED strip
- LED tape
- Cove lights
- Linear lights
- Puck lights

Mechanical Overview



MX1 High Power Series

24VDC, Compact Dimmable J-Box LED Driver



Specifications

Input	Ordering Code:	MX1-150W-24VDC	MX1-200W-24VDC	MX1-300W-24VDC
Input Voltage Range:		120VAC +/- 5%	120VAC +/- 5%	120VAC +/- 5%
Input Frequency:		60Hz	60Hz	60Hz
Input Current:		2.6A max	2.6A max	2.6A max
Inrush Current:		12A	12A	13A
Efficiency:		89%	90%	90%
Power Factor:		0.94	0.94	0.94
THD:		< 20% (@100% load)	< 20% (@100% load)	< 20% (@100% load)

Output

Output Voltage:	24VDC	24VDC	24VDC
Max Load:	150W	200W	300W
Output Current @ Max Load:	6.25A	8.33A	12.5A
Turn on delay time:	35ms	35ms	35ms

Environmental

Operating Ambient Temp.:	-40°F - 104°F (-40°C - 40°C)	-40°F - 104°F (-40°C - 40°C)	-40°F - 104°F (-40°C - 40°C)
Maximum Case Temp. (Tcase):	90°C	90°C	90°C
Ingress Protection (IP):	IP65 Screwless >50,000	IP65 Screwless >50,000	IP65 Screwless >50,000
Cover type:			
Expected Lifetime:			

Protection

Over Temp Protection:	Yes / Hiccup Mode	Yes / Hiccup Mode	Yes / Hiccup Mode
Over Load Protection:	Yes / Hiccup Mode	Yes / Hiccup Mode	Yes / Hiccup Mode
Short Circuit Protection:	Yes / Hiccup Mode	Yes / Hiccup Mode	Yes / Hiccup Mode

Enclosure

Dimensions:	3.85" x 1.64" x 6.57"	3.85" x 1.64" x 6.57"	3.85" x 1.64" x 6.57"
Material:	Aluminum	Aluminum	Aluminum
Finish:	Black Powder Coat	Black Powder Coat	Black Powder Coat
Connection type:	Lead Wire / J-box	Lead Wire / J-box	Lead Wire / J-box
Weight:	2.05lbs	2.05lbs	2.05lbs

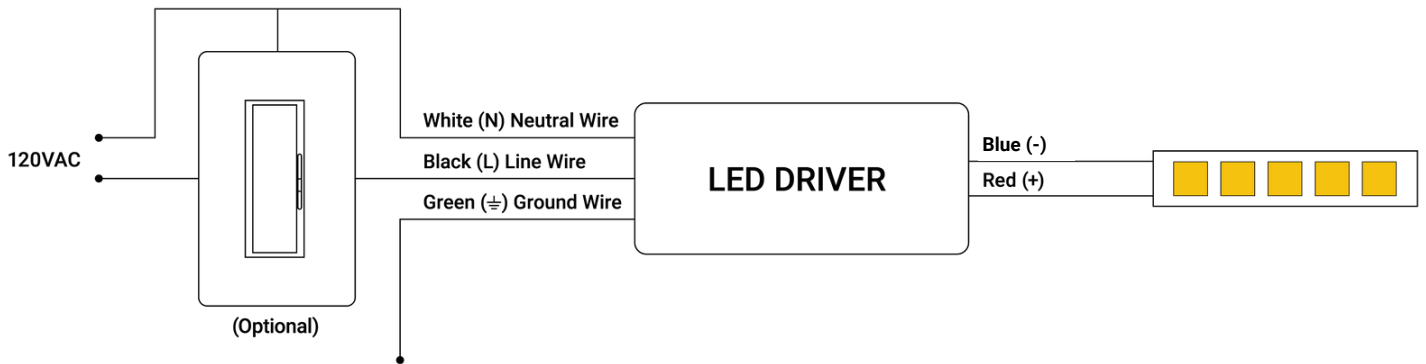
MX1 High Power Series

24VDC, Compact Dimmable J-Box LED Driver

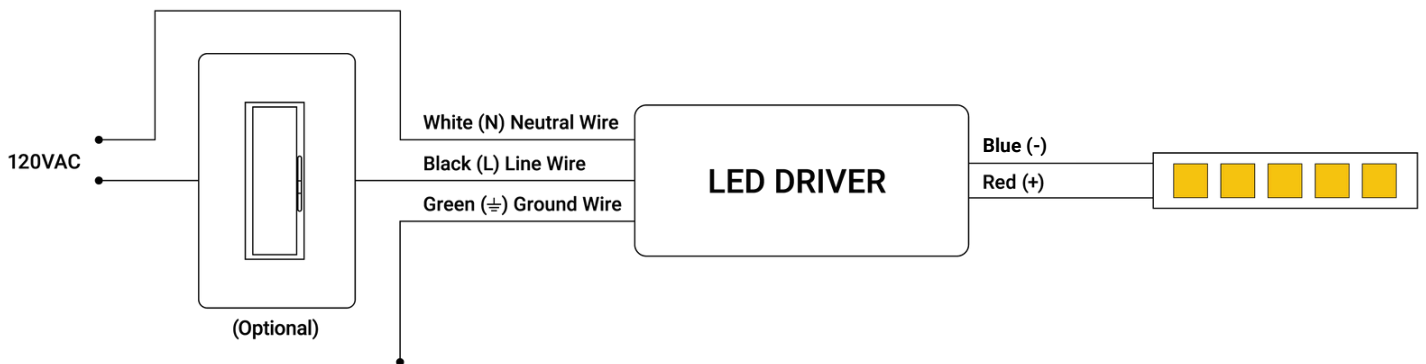


Wiring Diagrams

ELV



TRIAC / MLV



MX1 High Power Series

24VDC, Compact Dimmable J-Box LED Driver



Mechanical Diagrams

