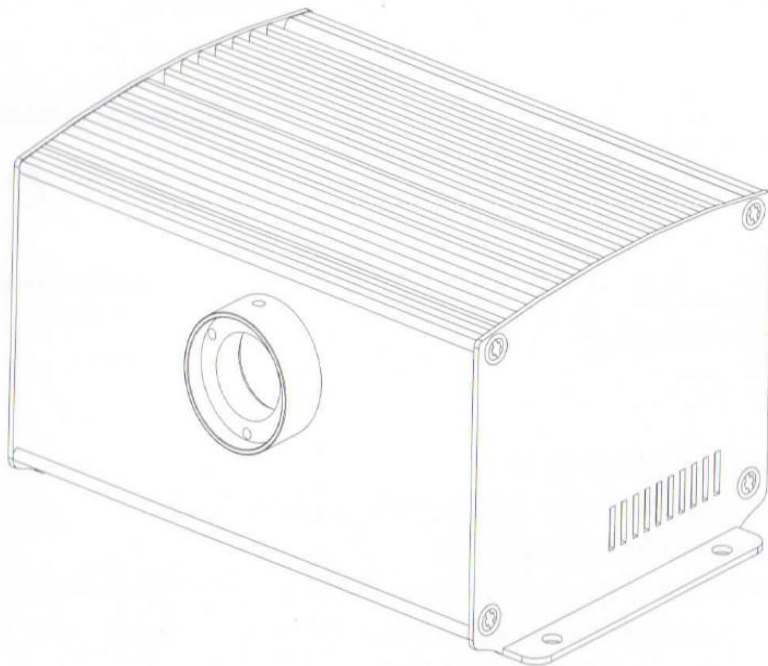


LED LIGHT ENGINE

INSTRUCTION MANUAL

10W LED DMX Illuminator

MODEL: LEE-1001DMX



A. INSTRUCTION FOR LED LIGHT ENGINE

Voltage: 12DC

Avoid use in high temperature areas. (Below 104 Degrees)

Color: White

Light Source: 10W LED

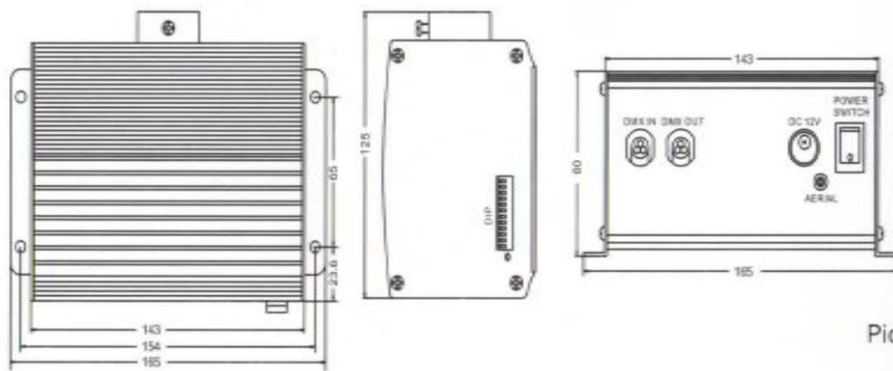
Power Consumption: 15W

LED Life: 50,000 hours

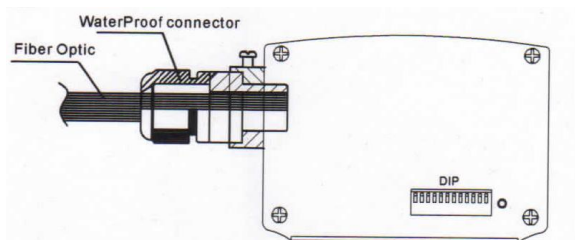
Max. Quantity for Fiber Connection: 400 X 0.75mm fiber optic per port

Wheels: 1 Twinkle and 1 Color

B. INSTALLATION:



1. Cut the fiber to the specified length.
2. Peel off 4-10cm of the protection cover of the fiber optic, be careful not to hurt the fiber optic itself.
3. Collect all fibers in one bundle, Enlace all the fiber at the 10cm from fiber end with tape. Insert the fiber optic into fiber connector, screw tightly the waterproof connector. Cut the fiber optic smoothly along with fiber connector with hot knife.
4. Insert the whole finished fiber connector into the fiber fixing ring, screw tightly the Screw.



C. Light Engine Setting

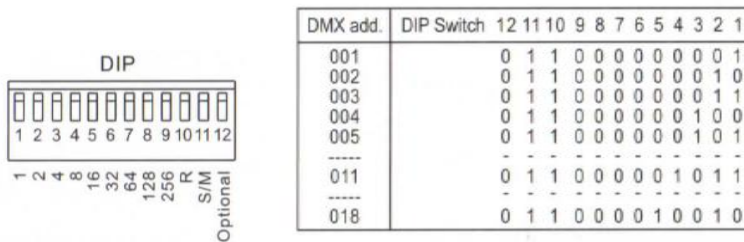
1. DIP address setting:

No. 1-9 as DIP address or program number.

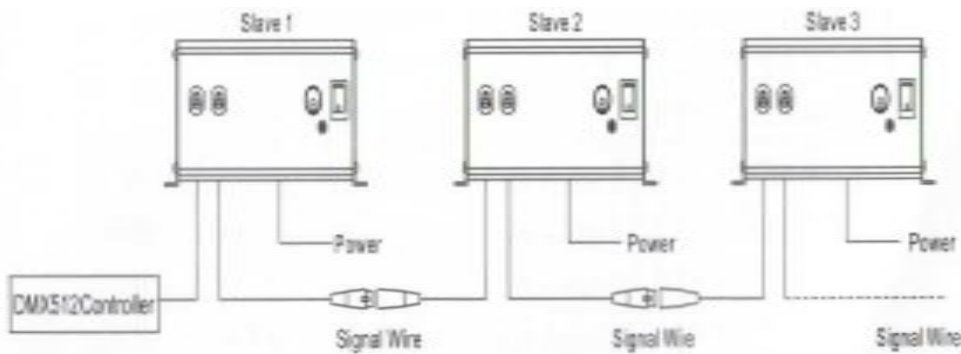
No. 10 and 11 as Remote Control must be in ON position for remote to work.

No. 11 is Master/Slave

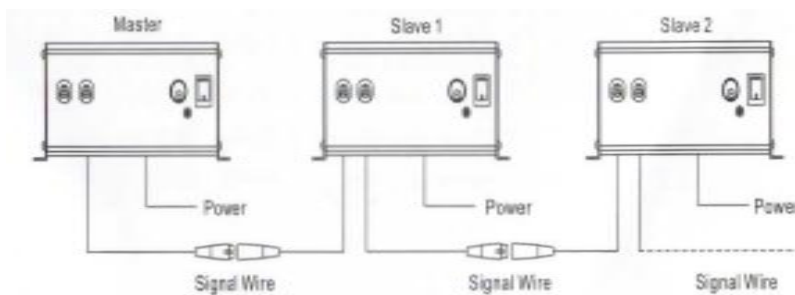
No. 12 is optional



2. The connection of DMX Signal Control Mode:



3. The connection of Master/Slave Control Mode:



4. Signal Wire and Connector Link:



6. Remote Control:

DIP 10 and 11 must be in the ON position. DIP 1-9 and 12 must be in OFF position. Press the Clear or Cancel key to clear any previous programs. Choose program from chart and press corresponding number, then press enter key.

Program number is larger than keys on remote:

Example: You want program 7. Press cancel then key 6 key 1 then enter. ($6 + 1 = 7$)

Example2: You want program 9. Press cancel then key 4 key 5 or key 3 key 6 then enter ($4 + 5 = 9$) or ($3 + 6 = 9$)

Example 3: You want program 18. Press cancel then key 6,6,6 then enter. ($6 + 6 + 6 = 18$) Or push key 1 18 times then enter.



PRG NO.	DIP ON/OFF TYPE (1 is ON, 0 is OFF)												FUNCTION	
	12	11	10	9	8	7	6	5	4	3	2	1		
01	0	1	0	0	0	0	0	0	0	0	0	1	White	
02	0	1	0	0	0	0	0	0	0	0	0	1	0	SKY-Blue
03	0	1	0	0	0	0	0	0	0	0	1	1	Green	
04	0	1	0	0	0	0	0	0	0	1	0	0	Yellow	
05	0	1	0	0	0	0	0	0	0	1	0	1	Blue	
06	0	1	0	0	0	0	0	0	0	1	1	0	Purple	
07	0	1	0	0	0	0	0	0	1	1	1	W,SKY-B,G,Y,B,PP,flash change(2 sec)		
08	0	1	0	0	0	0	0	1	0	0	0	W,SKY-B,G,Y,B,PP,flash change(5 sec)		
09	0	1	0	0	0	0	0	1	0	0	1	W,SKY-B,G,Y,B,PP,flash change(10 sec)		
10	0	1	0	0	0	0	0	1	0	1	0	6 colors slow change(0.5RPM) SPARKLE(1.5RPM)		
11	0	1	0	0	0	0	0	1	0	1	1	6 colors slow change(1.5RPM) SPARKLE(1.5RPM)		
12	0	1	0	0	0	0	0	1	1	0	0	6 colors slow change(2.5RPM) SPARKLE(1.5RPM)		
13	0	1	0	0	0	0	0	1	1	0	1	6 colors slow change(0.5RPM) SPARKLE(2.5RPM)		
14	0	1	0	0	0	0	0	1	1	1	0	6 colors slow change(1.5RPM) SPARKLE(2.5RPM)		
15	0	1	0	0	0	0	0	1	1	1	1	6 colors slow change(2.5RPM) SPARKLE(2.5RPM)		
16	0	1	0	0	0	0	1	0	0	0	0	6 colors slow change(0.5RPM) SPARKLE(5RPM)		
17	0	1	0	0	0	0	1	0	0	0	1	6 colors slow change(1.5RPM) SPARKLE(5RPM)		
18	0	1	0	0	0	0	1	0	0	1	0	6 colors slow change(2.5RPM) SPARKLE(5RPM)		