

## 600 Strand LED Fiber Optic Star Ceiling Kit



### Technical Data

Power consumption: 14 Watts

Color: White

Twinkle Wheel (Installed)

Light Source: 27 Watt White LEDs

Estimated Life of LEDs: 50000 hours

Size: L125 x W126 x H 88mm ( L 4.92 in x 5 in x 3.15 in)

Net weight of Light Engine: 0.6 Kg (1.4 lbs)

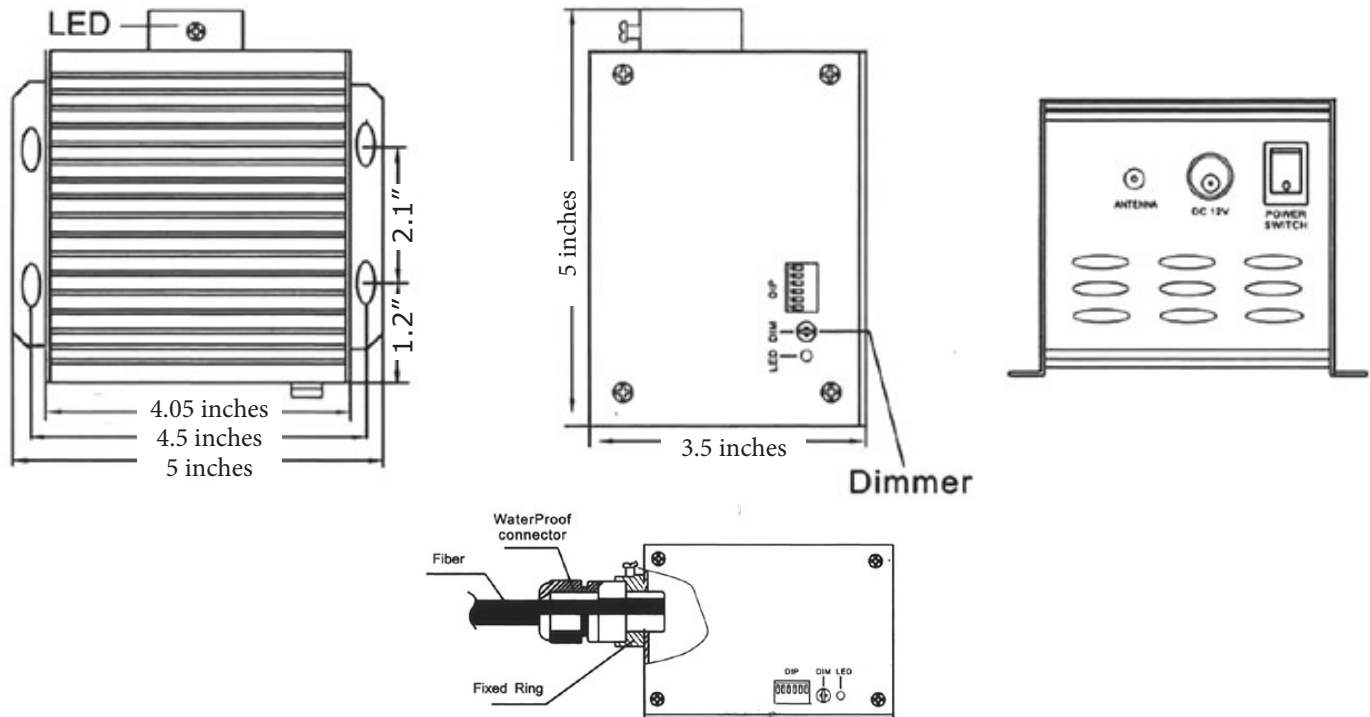
- Fiber Length**
- Two 16.4 feet length bundles
- Options:**
- One 16.4 feet & One 25 Feet length
  - Two 25 feet length bundles



**Battery for the Remote:** The battery for the remote is a 12 Volt 27A. The battery dimensions are 1" x .30" or 28mm x 8mm. **Note:** Be extremely careful when removing the three (3) tiny screws out of the remote. The screws are holding the entire remote casing together.

### Installation

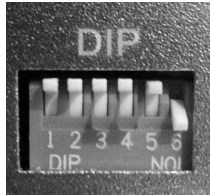
The installation dimension of the Light Engine.



## 600 Strand LED Fiber Optic Star Ceiling Kit

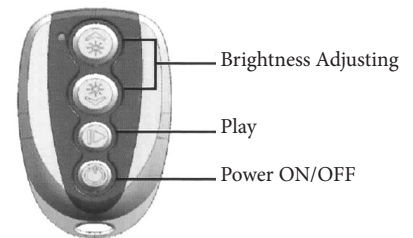
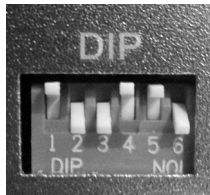
### Remote Control Operation

The power button is used to turn on and off the light engine.  
To turn on the remote feature, set dip switch number 6 down to activate the remote controller.



### Manual Control for Twinkle Wheel Speed

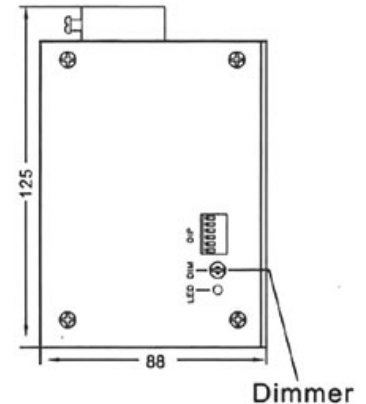
Use the dip switches to select from 6 different speed levels. For the slowest speed dip switches 2 & 3 should be ON and 1, 4, and 5 switches set to OFF.



**Note:** The speed of the twinkle wheel is only controlled manually via the dip switches.

### DIP Switch Chart

Pro. No.	DIP SWITCH (1=ON, 0=OFF)						EFFECT
	1	2	3	4	5	6	
00	0	0	0	0	0	0	Motor stopped, LED working
01	1	0	0	0	0	0	(6RPM)
02	0	1	0	0	0	0	(4RPM)
03	1	1	0	0	0	0	(2.5RPM)
04	0	0	1	0	0	0	(2RPM)
05	1	0	1	0	0	0	(1.5RPM)
06	0	1	1	0	0	0	(1RPM)



**Notice:** Rotations Per Minute (RPM) is the speed of the twinkle wheel.

### Stopping the Twinkle Wheel with the Remote

As the twinkle wheel turns, press the Play button to stop twinkle wheel and have solid stars.

### Dimming

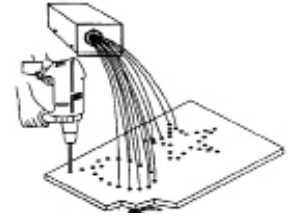
The brightness buttons on the top of the remote allows you to adjust the brightness of the lighting at 8 levels. You can also adjust the lighting manually by using the dimming screw on the side of the light engine.

## 600 Strand LED Fiber Optic Star Ceiling Kit

---

### Installation of the fiber Ends

Drill holes on the panel or ceiling you wish to install the fiber optic cables. Pull the fibers through the holes and use glue (we recommend using Elmer's All Multipurpose White Glue) to secure the fibers in place. For more tips on fiber installation visit our website [WieDaMark.com](http://WieDaMark.com) and view our [Installation Videos](#) page.



### Safety Instructions:

1. Keep out of rain or moist areas to avoid shock hazards.
2. Avoid use in high temperatures (< 40°C or < 104°F).
3. Keep Light Engine in ventilated area.
4. The light engine has a safety feature that will turn the light engine off to prevent it from over heating.