

Basic Wiring Diagrams - RGB Wiring

- This LED Neon Flex Fixture is only compatible with a 24V power supply.
- Always observe proper polarity.
- Always add an additional 20% to the maximum load when sizing the power supply.
- Ensure that the power cable drawing current is no more than 80% of its current capacity.
- To minimize the voltage drop and maintain light consistency, do not use excessive lengths of wire between the power supply and light fixture.
- Accepts PWM input. Compatible with DMX decoders

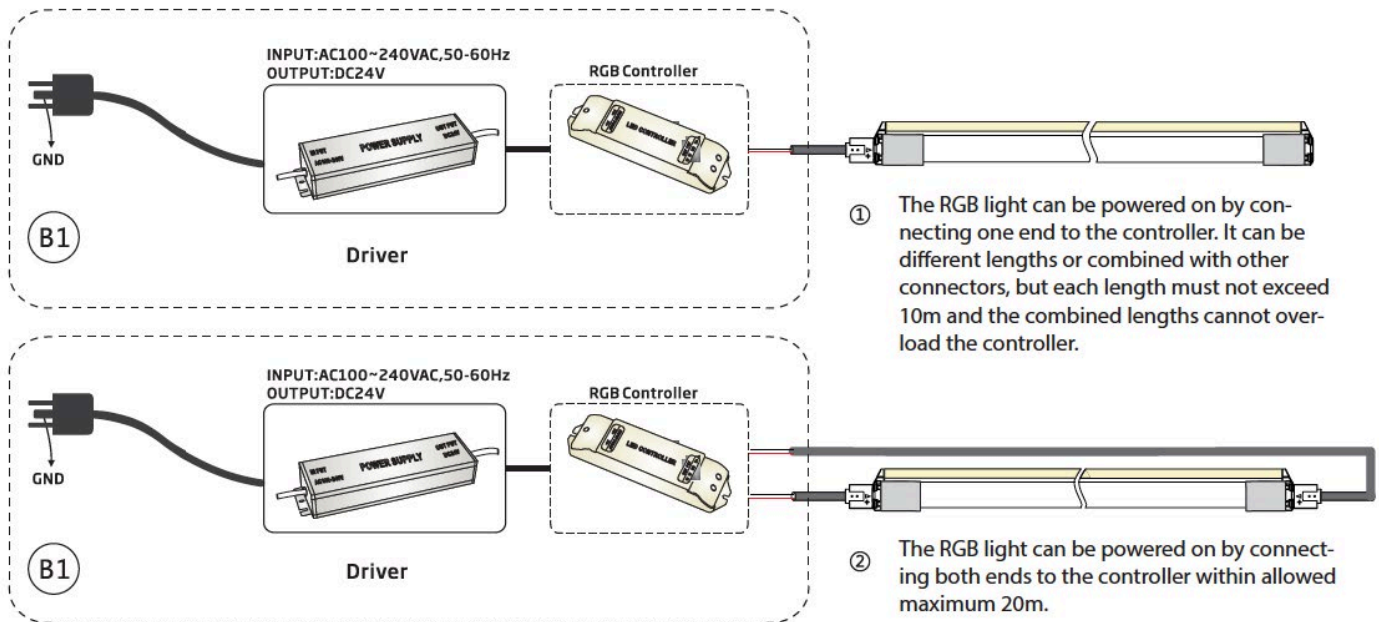
Instructions for Wiring RGB:

Yellow Wire Connects to Anode(+).

Red Wire Connects to the “R” Terminal, Cathode(-).

Green Wire Connects to the “G” Terminal, Cathode(-).

Blue Wire Connects to the “B” Terminal, Cathode(-).



Max Continuous Length

Part Number	Single Feed	Double Feed
CL-GFR-F21-CV24	Seamless: 22.97ft (7m)	45.93ft (14m)
	Snap: 32.81ft (10m)	65.62ft (20m)