

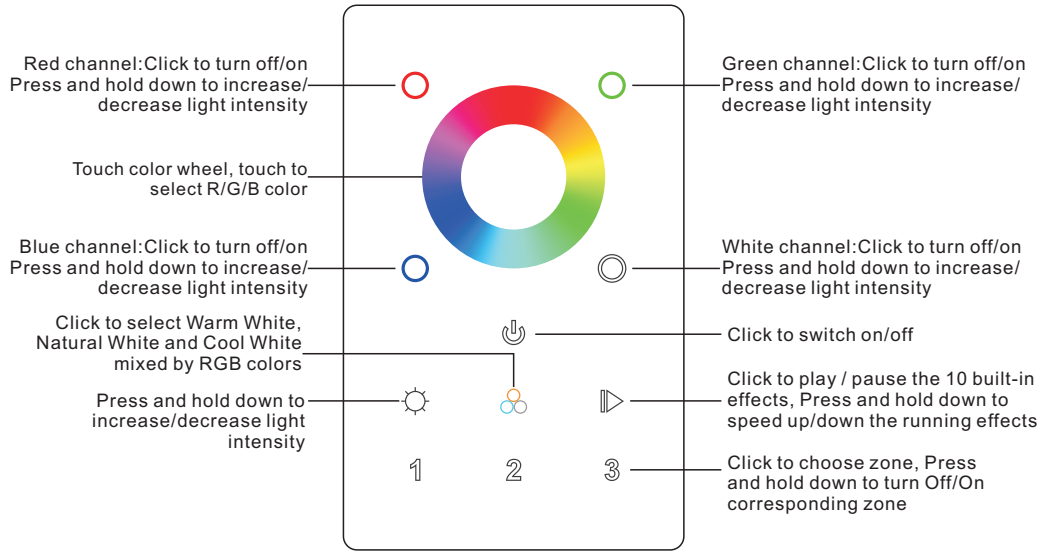
# RGBW DMX512+WiFi Controller

# SR-2812Wi-US

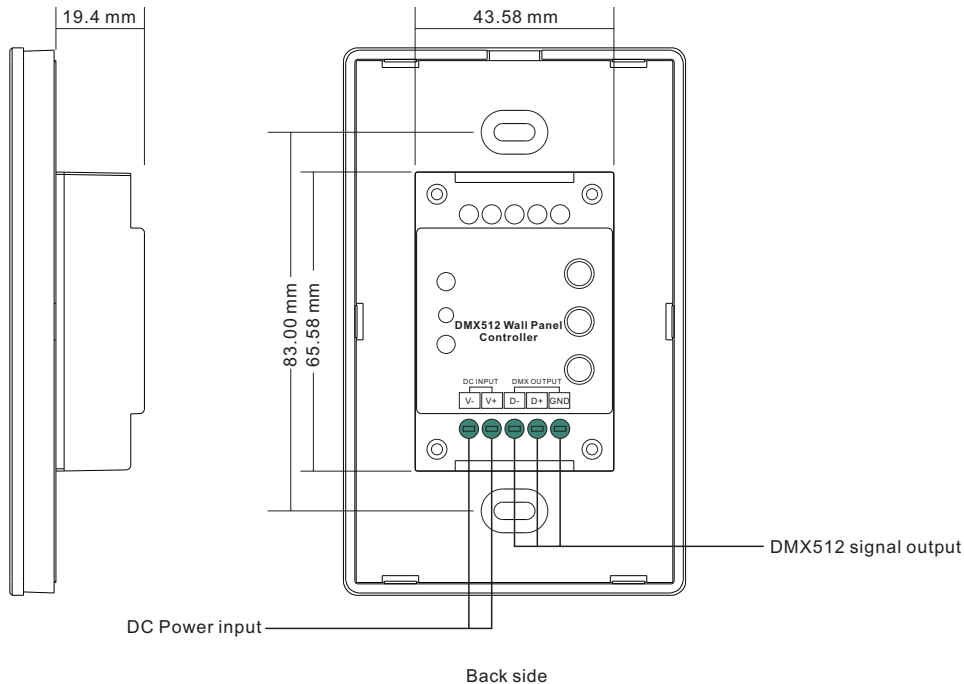


**Important:** Read All Instructions Prior to Installation

## Function introduction



Front side



## Product Data

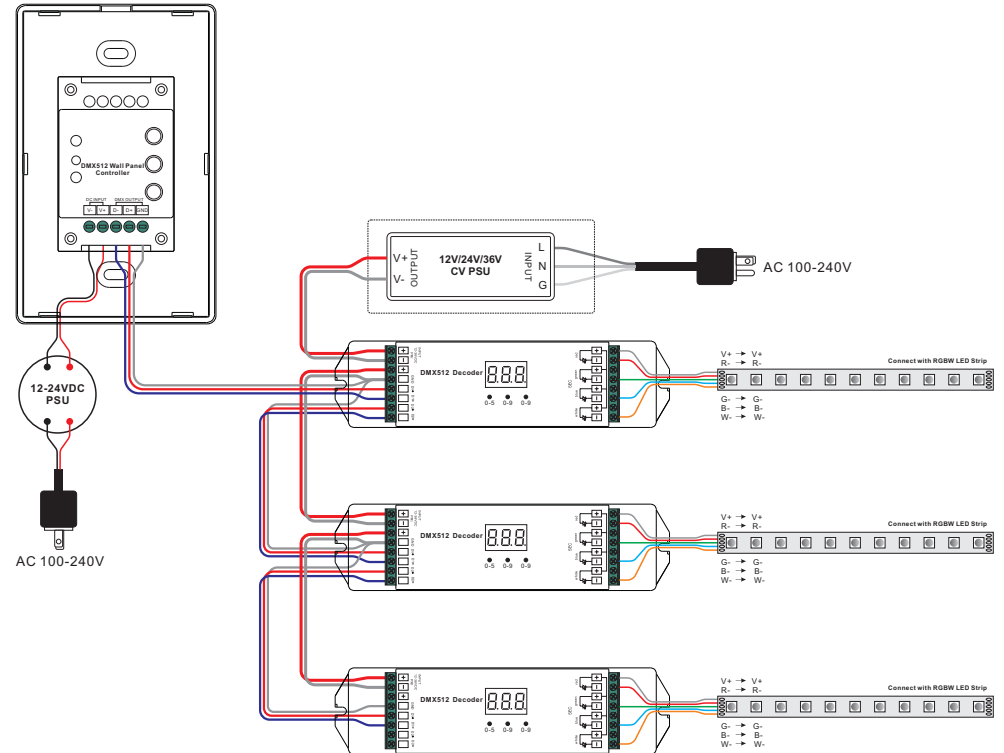
Output Signal	DMX512+WiFi signal
Power Supply	12-24VDC
Power consumption	200 mA
Operating temperature	0-40°C
Relative humidity	8% to 80%
Dimensions	75x120x29.1mm

- Touch sensitive
- Glass interface(white & black)
- Standard DMX512 Signal output
- **Can be controlled by WiFi** controller
- Control RGBW color
- **Control 3 zones** synchronously and separately
- Waterproof grade: IP20

## Safety & Warnings

- DO NOT install with power applied to device.
- DO NOT expose the device to moisture.

## Wiring diagram



## Set DMX Address

This DMX master controller controls 4 zones of DMX decoders by setting DMX decoders' address as follows:  
 DMX decoders with address 001 will be controlled by zone 1,  
 DMX decoders with address 005 will be controlled by zone 2,  
 DMX decoders with address 009 will be controlled by zone 3,  
 DMX decoders with address 013 will be controlled by zone 4.

## Save color/scene/mode:

Turn on the wall panel controller → Click one of the paired zone numbers → Operation the buttons to select a color /mode you like → Press and hold down button **S** until the LED indicator flashes once

→ Immediately click any of the zone numbers that you would like to save the color/scene to → The connected LED light with DMX decoder will flash → The color/scene is saved successfully.

## Recall the saved colors/scenes:

Turn on the wall panel controller → Click any of the zone numbers you would like to recall the scene/color → Click button **S** → Click the zone number again to recall the saved.

## Wifi setting

### Match with APP "Easylighting".WiFi password:0123456789

Download the application from APP Store or Google Play by searching "Easylight".  
Operating the application according Easylight Manual.

### the app is 8 zone control, so you may set more zones for the WiFi control as below:

DMX decoder's address 001 is controlled by Zone 1  
DMX decoder's address 005 is controlled by Zone 2  
DMX decoder's address 009 is controlled by Zone 3  
DMX decoder's address 013 is controlled by Zone 4  
DMX decoder's address 017 is controlled by Zone 5  
DMX decoder's address 021 is controlled by Zone 6  
DMX decoder's address 025 is controlled by Zone 7  
DMX decoder's address 029 is controlled by Zone 8

## Installation

