



Auto Fiber Optic Star Ceiling Kit



STAR KIT MODULE



120 VOLT POWER SUPPLY

KEY FEATURES:

- 12 VDC Power Supply
- 250 Fiber Stars w/ 8ft. long fibers
- 10 Programs
- RS232 Serial Controllable
- Optional IR Control *(Sold Separately)*
- Remote Momentary Switch Ready *(Switch Sold Separately)*
- Stand Alone Mode – Dip Switch Program
- Optional WiFi w/ Phone/Tablet App. Control

BENEFITS:

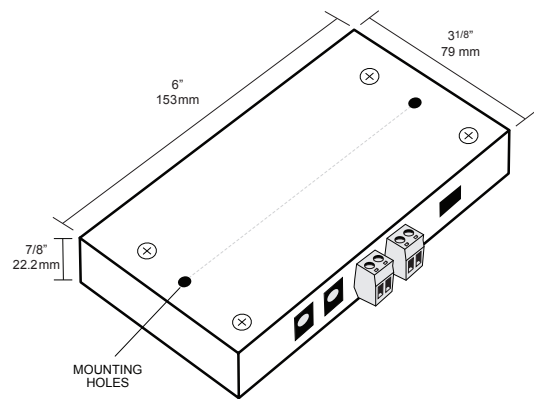
- Digital Electronics
- Compact Design
- Quiet Operation *(no fan)*
- No Moving Parts!
- Long Life LED's
- Low Wattage



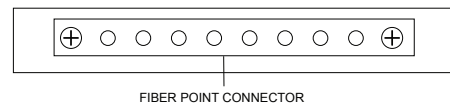
TWILIGHT STAR KIT creates your perfect night sky with the **best LED technology available** in digital star lighting. Featuring 10 eye mesmerizing programs that are sure to make you the envy of your friends. From a subtle twinkle and a summer breeze effect, to an upbeat party mode and amped up strobe! You now have the power to control and create your ideal vision of a night sky.

This kit is designed to be a star kit or a custom effect kit.

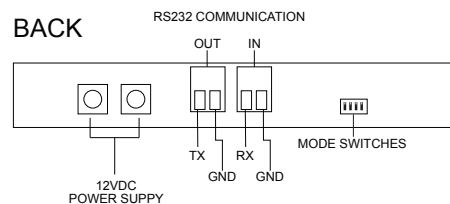
TECHNICAL INFO:



FRONT

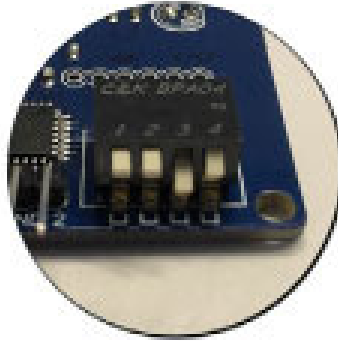


BACK



Dip Switch Settings for Auto Fiber Optic Star Ceiling Kit

The Star effects are determined by the dip switches. The dip switch settings allow you to control a variety of the effects.



Dip Switches settings for Night Sky 50% show above.

MODE	SWITCH 1	SWITCH 2	SWITCH 3	SWITCH 4
Night Sky	Up	Up	Up	Up
All on 50%	Down	Up	Up	Up
All On 25%	Up	Down	Up	Up
Night Sky 50%	Up	Up	Down	Up
Scintillation	Down	Up	Down	Up
Tropical Winds	Up	Down	Down	Up
Rain Mode	Down	Up	Down	Down
Party (Strobe) Mode	Up	Down	Down	Down
All on 100%	Down	Down	Down	Down