

RF RGBW REMOTE CONTROLLER

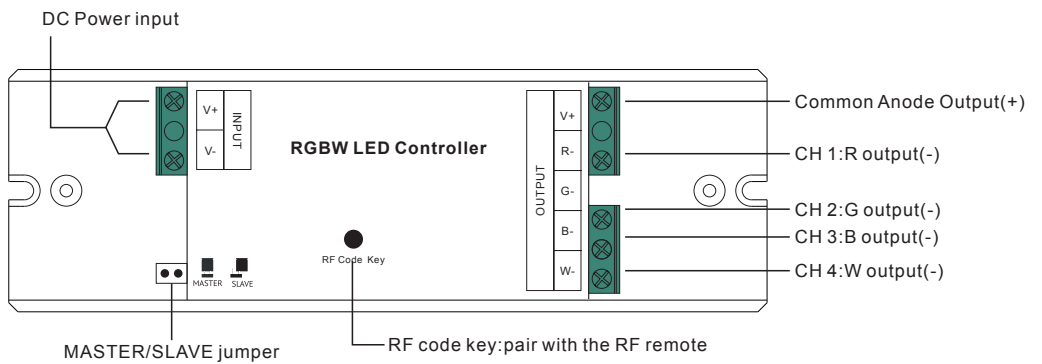


Product Data

Output	RF signal
Operation Frequency	868/915/434MHz
Power Supply	4.5V(3xAAA battery)
Operating temperature	0-40°C
Relative humidity	8% to 80%
Dimensions	120x48x17.6mm

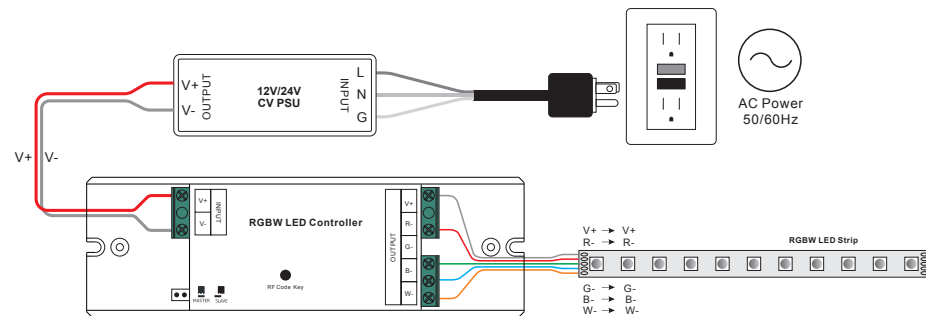
- Control 1 zone of RF receiver
- RGBW color controller
- Compatible with universal serie RF receiver
- 1 receiver can be paired by max 8 different remote controls.
- Waterproof grade: IP20

Receiver



Input Voltage	Output Current	Output Power	Remarks	Size(LxWxH)
12-24VDC	4x5A	4x(60-120)W	Constant voltage	145x46.5x16mm

Wiring Diagram



Operation

Pair with RF receivers:

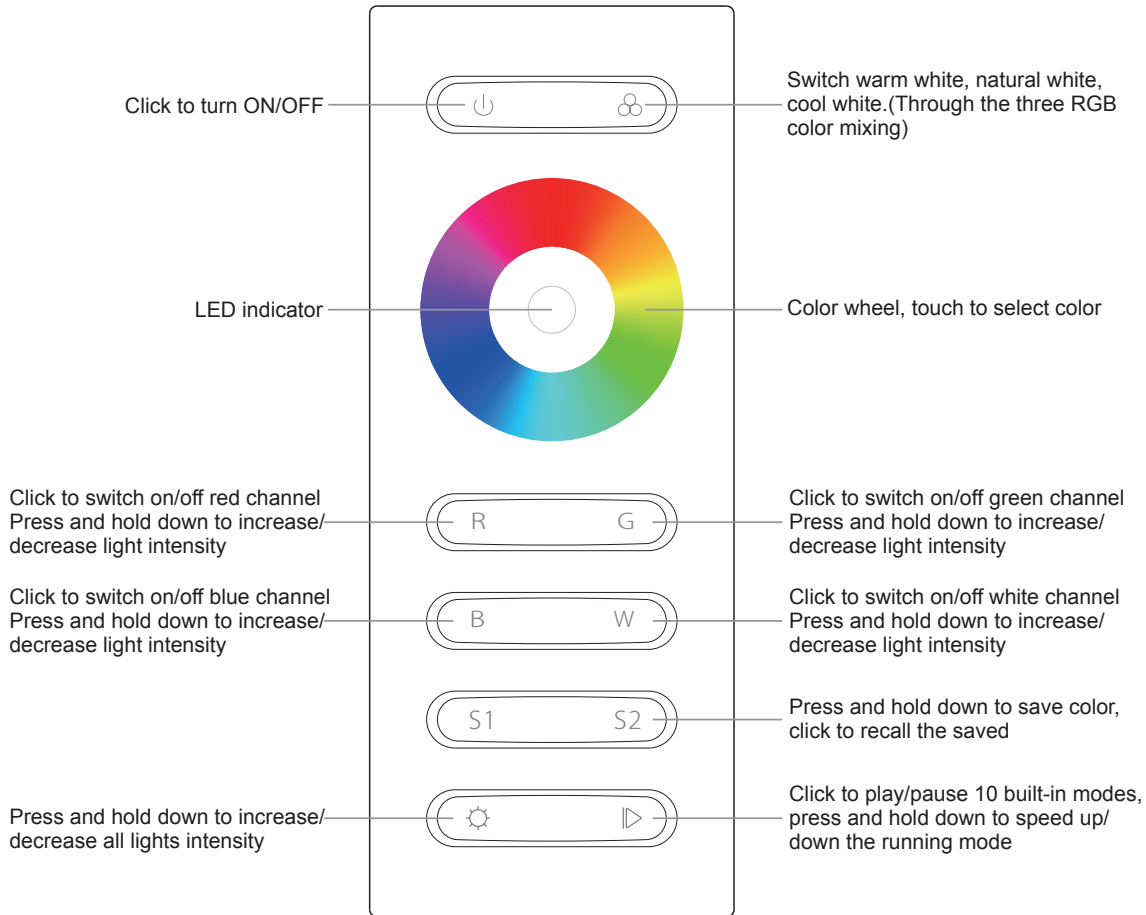
Turn on the remote → Click "RF Code Key" on RF receiver → Touch the color wheel → LED lights connected with the RF receiver will flicker once → The receiver is paired with the remote successfully.

How to delete the pairing:

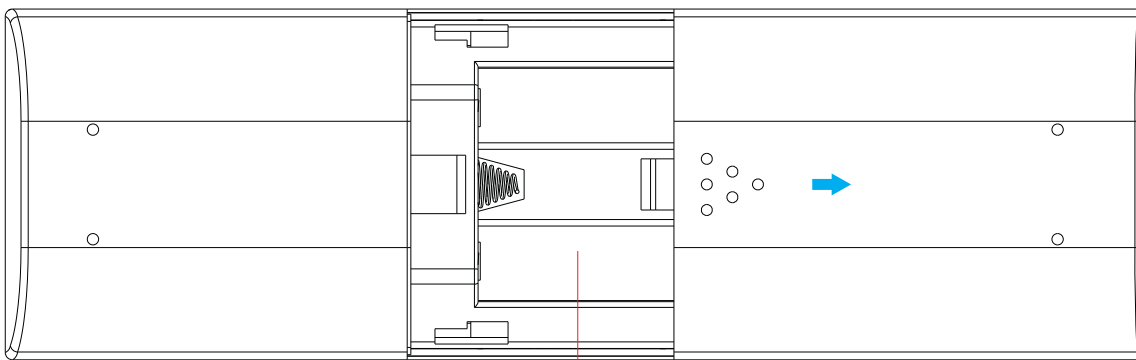
Press and hold down "RF Code Key" on the receiver for over 3 seconds until connected LED lights flicker twice, which means the pairing is deleted successfully.

RF RGBW REMOTE CONTROLLER

Function introduction



Front side



Back side