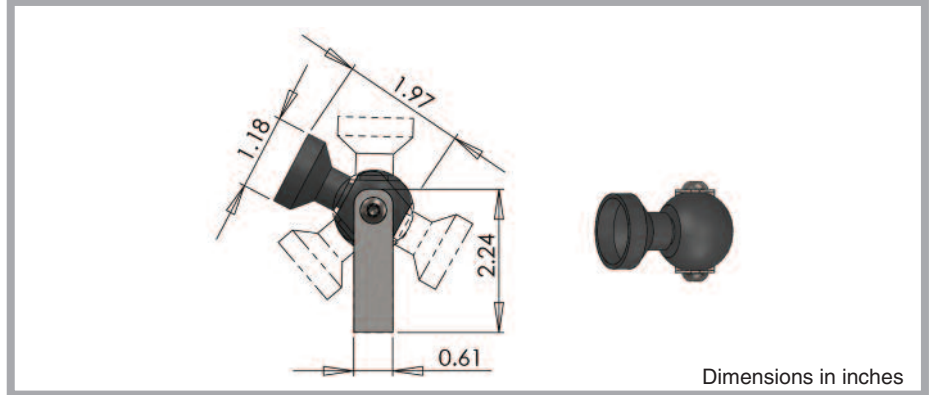


End Fitting Specification



UFO 10DBR Downlight



A small surface mount, trumpet style downlight. Supplied with mounting bracket.

Available in a range of finishes, this fitting can be rotated and tilted to point directly at any objects to be illuminated. The light beam from this fitting is focusable. Also suitable for mounting in the base of a display case and illuminating upwards. Suitable for use where access above or below the mounting surface is not available.

Description	
Lens	Clear focusing lens
Material	Aluminum, stainless steel or polycarbonate
Colors available	Polished aluminum, black, white
Focus range	25° - 45°
Trumpet size	Ø1.18" (30mm)
Tilt	360°
Weight	0.27lb (121.1g) (stainless steel), 0.08lb (37.7g) (polycarbonate), 0.13lb (58.5g) (aluminum)
Mounting	M6 screwfix with bracket
Ferrule size	M10 or 0.31" (8mm) smooth
Min. fiber size	0.08" (2mm)
Max. fiber size	0.31" (8mm)

Our downlight fittings are suitable for use in a variety of different applications and are the ideal solution for the illumination of static objects within a display case or cabinet.

Uses include:

- Museum and gallery cabinet and display lighting
- Accentuation of pictures and other objects
- Illumination of shop displays