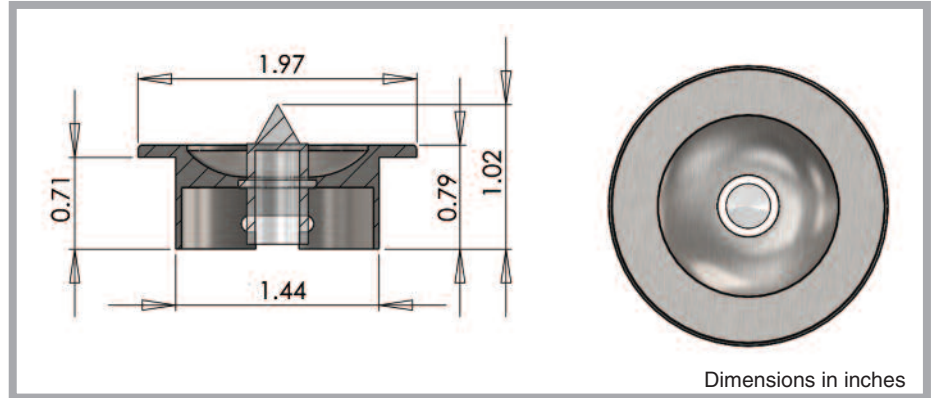


End Fitting Specification



UFO 12D Sparkle Downlight



A large sparkle point with a recessed flange. Supplied with spring clips for securing through a ceiling.

Flange available in a variety of colors.

Description	
Material	Polycarbonate body, aluminum or polycarbonate flange
Colors available	Clear body with flange in either polished aluminum chrome black white ivory
Flange size	1.97" (50mm)
Weight	0.06lb (26.6g)
Mounting hole size	1.57" (40mm)
Ferrule size	M8
Min. fiber size	0.08" 92mm)
Max. fiber size	0.24" (6mm)

Ideal for star ceiling effects on very high ceilings.