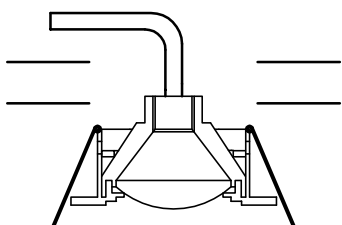


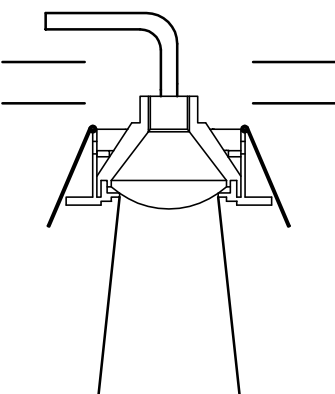
UFO 13D Downlight Fitting Instructions



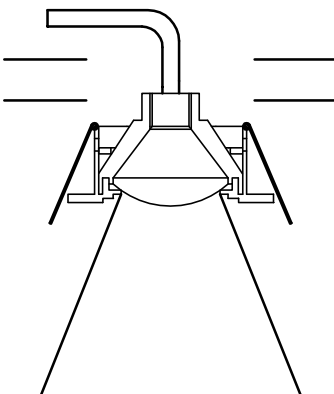
Cut out required: 40mm



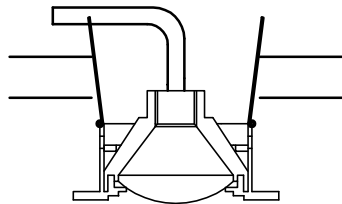
(1) Gently hold fibre optic tail in hand and screw on fitting.



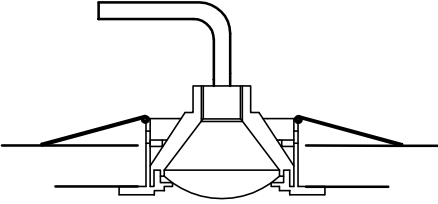
(2) A narrow beam of light is produced if the fitting is screwed on by a few threads.



(3) A wider beam of light is produced if the fitting is screwed on almost as far as it will go.



(4) Bend back the springs and push fitting into cut out hole.



(5) Springs hold fitting in place